



(12) **EUROPEAN PATENT APPLICATION**

(43) Date of publication:
08.12.2004 Bulletin 2004/50

(51) Int Cl.7: **F03D 1/04, F03D 9/00**

(21) Application number: **03012612.2**

(22) Date of filing: **03.06.2003**

(84) Designated Contracting States:
**AT BE BG CH CY CZ DE DK EE ES FI FR GB GR
 HU IE IT LI LU MC NL PT RO SE SI SK TR**
 Designated Extension States:
AL LT LV MK

(72) Inventor: **Yeh, Chao-Chin**
Changhua County, Taiwan 520 (TW)

(74) Representative: **Becker Kurig Straus**
Patentanwälte
Bavariastrasse 7
80336 München (DE)

(71) Applicant: **Yeh, Chao-Chin**
Changhua County, Taiwan 520 (TW)

(54) **Solar chimney with updraught turbine**

(57) A solar power generating apparatus has a transparent isolating layer made into a hollow cone having a smaller top and a larger bottom. The isolating layer has a hole at the top thereof and a space therein. A heat absorption layer is provided at an inner side of the iso-

lating layer to absorb heat of the sunlight and to heat air in the space of the isolating layer. A rotary device is pivoted on the isolating layer at where adjacent to the hole. The heated air generates an upward airflow in the space of the isolating layer to drive the rotary device for rotation.

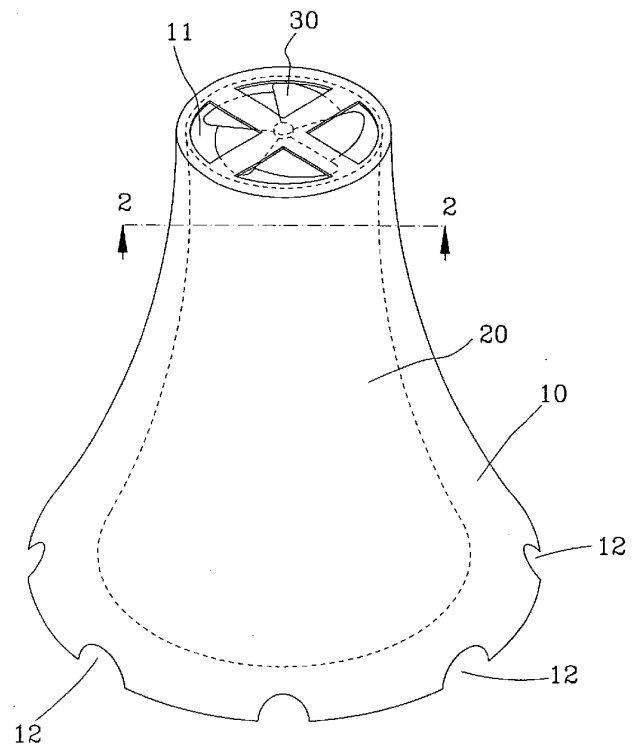


FIG. 1

EP 1 484 501 A1

Description

BACKGROUND OF THE INVENTION

1. Field of the Invention

[0001] The present invention relates generally to a power generator, and more particularly to a solar power generating apparatus.

2. Description of the Related Art

[0002] In modern life, people more and more depend on electric power for everyday work. Specialists who work on finding a power supply with more efficiency and less pollution still are trying their best to find a new way of power generating. Solar power is a better way of generating electric power which the noise is less and the pollution is less.

SUMMARY OF THE INVENTION

[0003] The primary objective of the present invention is to provide a solar power generating apparatus, which has a simpler structure, lower cost and less noise and pollution.

[0004] According to the objective of the present invention, a solar power generating apparatus comprises a transparent isolating layer made into a hollow cone having a smaller top and a larger bottom, wherein the isolating layer has a hole at the top thereof and a space therein where the space is isolated from outside by the isolating layer, a heat absorption layer provided at an inner side of the isolating layer to absorb heat of the sunlight and to heat air in the space of the isolating layer, and a rotary device pivoted on the isolating layer at where adjacent to the hole, wherein the heated air generates an upward airflow to drive the rotary device for rotation.

BRIEF DESCRIPTION OF THE DRAWINGS

[0005]

FIG. 1 is a perspective view of a preferred embodiment of the present invention, and
FIG. 2 is a sectional view along the 2-2 line in FIG. 1.

DETAILED DESCRIPTION OF THE INVENTION

[0006] As shown in FIG. 1 and FIG. 2, a solar power generating apparatus of the preferred embodiment of the present invention comprises:

[0007] A transparent isolating layer 10 is made into a hollow cone having a smaller top and a larger bottom. The isolating layer 10 has a hole 11 at the top thereof and plural of inlets 12 at the bottom thereof. The isolating layer 10 has a space therein where the space is isolated

from outside by the isolating layer 10.

[0008] A heat absorption layer 20 is provided on an inner side of the isolating layer 10 for absorption of the heat of solar power. The heat absorption layer 20 can be made of a dark metal plate or dark paint coated on the inner side of the isolating layer 10. The heat absorption layer 20 has a shape similar to the isolating layer 10 but is smaller in size. The heat absorption layer 20 has openings at a top and a bottom thereof to facilitate air flowing through.

[0009] A rotary device 30 is pivoted on the isolating layer 10 behind the hole 11. The rotary device 30 is driven for rotation while air flows through and the rotation of the rotary device 30 generates mechanical energy. The rotary device 30 is a turbine in the present invention and the turbine is connected to a power generating set (not shown) to generate electricity.

[0010] In use, the solar power generating apparatus of the present invention is put at a suitable place where the sunlight illuminates the solar power generating apparatus directly, such as a rooftop, an open land or a desert area. The heat absorption layer 20 absorbs and stores the thermal energy while the sunlight illuminates the solar power generating apparatus. The air in the space of the isolating layer 10 is heated and the temperature is very high. It is similar to the situation that the temperature is very high in a truck while the truck had been parked under the sunlight for a long time. Free convection occurs in the space of the isolating layer 10 now where the heated air in the space flows upwards and out of the isolating layer 10 via the hole 11 and cold air will be sucked into the space of the isolating layer 10 via the inlets 12. The airflow flows upwards and along a sidewall of the space of the isolating layer 10 to drive the turbine 30 for rotation so that the turbine 30 can drive the power generating set working to generate electricity. The convection occurs in the space of the isolating layer 10 continuously while the heat absorption layer 20 is heated by sunlight and there always is cold air flowing into the isolating layer 10 via the inlets 12 and upwards airflow flows out of the isolating layer 10 via the hole 11 to drive the turbine 30. With the description above, it is easy to understand that the solar power generating apparatus of the present invention has a simpler structure and less noise and pollution in generating power. It can be a power supply for lower loading such as driving a ventilation system to lower the indoor temperature.

50 Claims

1. A solar power generating apparatus, comprising:

transparent isolating layer made into a hollow cone having a smaller top and a larger bottom, wherein the isolating layer has a hole at the top thereof and a space therein where the space is isolated from outside by the isolating layer;

a heat absorption layer provided at an inner side of the isolating layer to absorb heat of the sunlight and to heat air in the space of the isolating layer, and

5

a rotary device pivoted on the isolating layer at where adjacent to the hole;

wherein the heated air generates an upward airflow in the space of the isolating layer to drive the rotary device for rotation.

10

2. The solar power generating apparatus as defined in claim 1, wherein the heat absorption layer is made of a metal plate.

15

3. The solar power generating apparatus as defined in claim 1, wherein the heat absorption layer is made of a dark paint coated on the isolating layer.

20

4. The solar power generating apparatus as defined in claim 1, wherein the rotary device is a turbine.

25

30

35

40

45

50

55

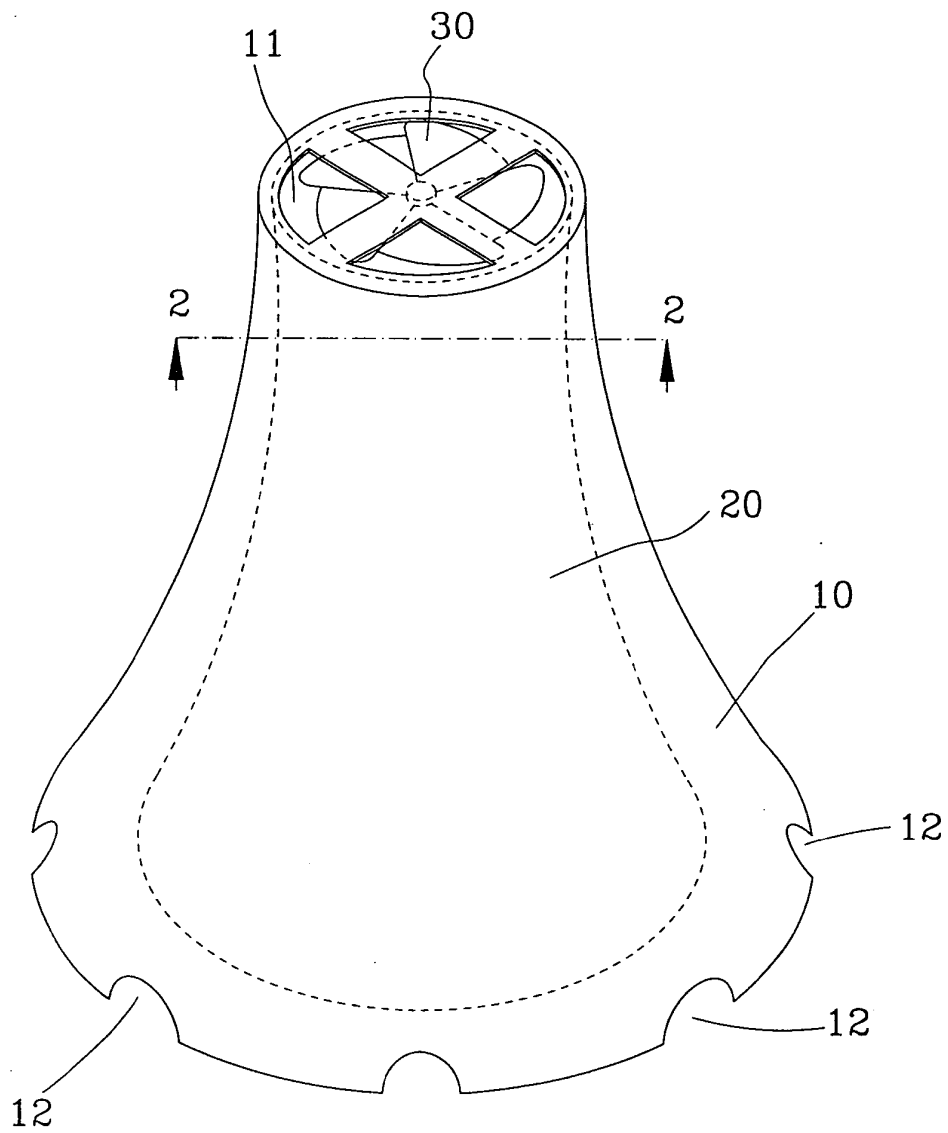


FIG. 1

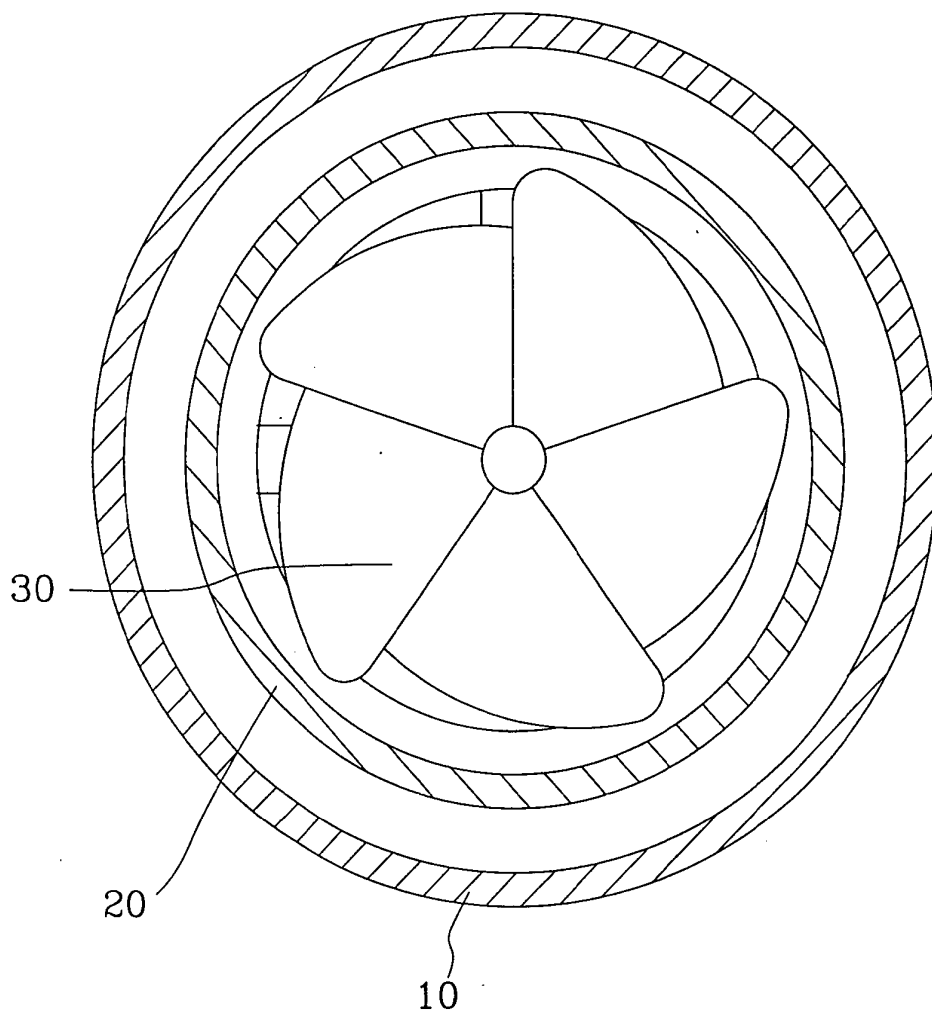


FIG. 2



DOCUMENTS CONSIDERED TO BE RELEVANT			
Category	Citation of document with indication, where appropriate, of relevant passages	Relevant to claim	CLASSIFICATION OF THE APPLICATION (Int.Cl.7)
X	GB 2 302 139 A (ENTWISTLE ARTHUR) 8 January 1997 (1997-01-08) * abstract * * page 1, line 1 - page 2, line 38 * * page 2, line 50 - page 4, line 89; figures * ---	1-4	F03D1/04 F03D9/00
X	US 4 433 544 A (HOLMES MARVIN ET AL) 28 February 1984 (1984-02-28) * abstract * * column 4, line 54 - column 5, line 51 * * column 6, line 9 - line 23; figures * ---	1-4	
X	US 5 381 048 A (BAIRD WILLIAM R) 10 January 1995 (1995-01-10) * abstract * * column 3, line 56 - column 4, line 13 * * column 5, line 13 - line 43 * * column 6, line 12 - line 29; figures * ---	1,2,4	
X	FR 2 307 982 A (GRANATA FRANCOIS) 12 November 1976 (1976-11-12) * page 1, line 15 - line 23 * * page 1, line 34 - page 2, line 10 * * page 2, line 33 - line 35; figure * ---	1,2	TECHNICAL FIELDS SEARCHED (Int.Cl.7) F03D
A	US 6 016 015 A (WILLARD JR BRUCE L) 18 January 2000 (2000-01-18) * abstract * * column 3, line 63 - column 4, line 43 * * column 4, line 60 - column 5, line 3 * * claim 1; figures * -----	1-4	
The present search report has been drawn up for all claims			
Place of search THE HAGUE		Date of completion of the search 9 October 2003	Examiner Criado Jimenez, F
<p>CATEGORY OF CITED DOCUMENTS</p> <p>X : particularly relevant if taken alone Y : particularly relevant if combined with another document of the same category A : technological background O : non-written disclosure P : intermediate document</p> <p>T : theory or principle underlying the invention E : earlier patent document, but published on, or after the filing date D : document cited in the application L : document cited for other reasons & : member of the same patent family, corresponding document</p>			

EPO FORM 1503 03.82 (F04C01)

**ANNEX TO THE EUROPEAN SEARCH REPORT
ON EUROPEAN PATENT APPLICATION NO.**

EP 03 01 2612

This annex lists the patent family members relating to the patent documents cited in the above-mentioned European search report. The members are as contained in the European Patent Office EDP file on the European Patent Office is in no way liable for these particulars which are merely given for the purpose of information.

09-10-2003

Patent document cited in search report	Publication date	Patent family member(s)	Publication date
GB 2302139	A	08-01-1997	NONE

US 4433544	A	28-02-1984	NONE

US 5381048	A	10-01-1995	US 5300817 A 05-04-1994
		AU 672701 B2	10-10-1996
		CA 2160253 A1	27-10-1994
		CN 1121367 A	24-04-1996
		DE 4492443 T0	21-03-1996
		AU 6622894 A	08-11-1994
		JP 8509045 T	24-09-1996
		WO 9424435 A1	27-10-1994

FR 2307982	A	12-11-1976	FR 2307982 A1 12-11-1976

US 6016015	A	18-01-2000	NONE
